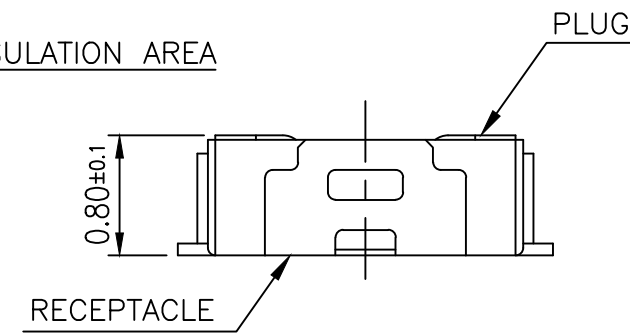


RECOMMENDED PCB LAYOUT  
GENERAL TOLERANCE ±0.05

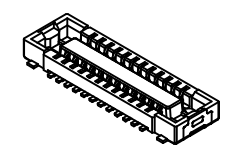
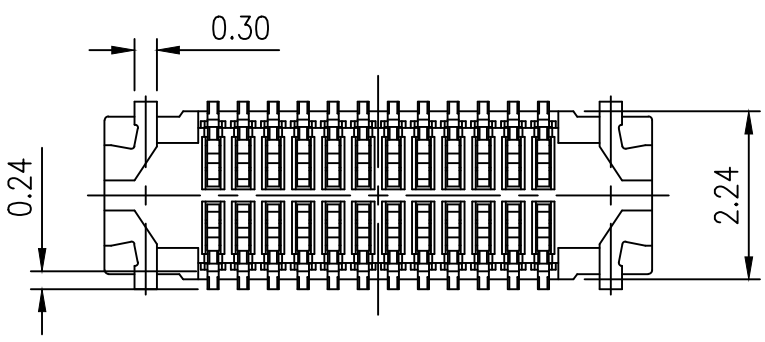
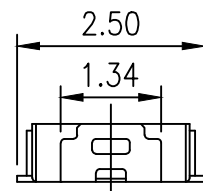
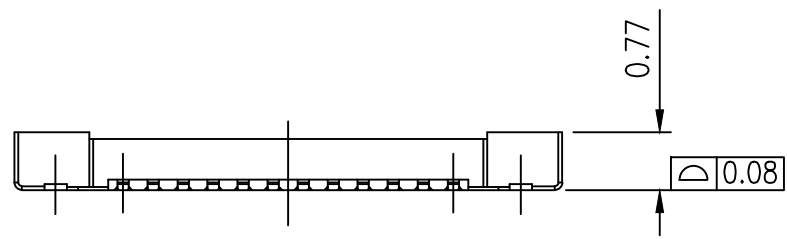
- NOTES:  
 1. MATERIAL:  
 1.1 HOUSING: THERMOPLASTIC, HIGH TEMP., UL94V-0(LCP); COLOR:BLACK.  
 1.2 CONTACT: PHOSPHOR BRONZE  
 1.3 FITTING NAIL:PHOSPHOR BRONZE  
 2. FINISH:  
 CONTACT:SEE ORDER INFORMATION.  
 UNDERPLATING: 50~100u" NICKEL OVERALL.  
 3. REFLOW SOLDER CAPABLE TO 260°C PER ACES SPEC.  
 4. SPEC. PLS. REFER TO PS-51167-xxxxx  
 5. PACKAGE PLS. REFER TO 51168-XXXCR-XX  
 6. MATING CONNECTOR P/N:51167  
 7. PART NUMBER  
 51168-XXX X X-001

CKTS \_\_\_\_\_ CONTACT PLATING  
 PACKING \_\_\_\_\_ 1.G/F ON CONTACT  
 O.TAPE REEL \_\_\_\_\_



MATING CONDITION

PIN	A	B	C	D
10	1.60	3.40	3.80	4.50
12	2.00	3.80	4.20	4.90
14	2.40	4.20	4.60	5.30
24	4.40	6.20	6.60	7.30
30	5.60	7.40	7.80	8.50
40	7.60	9.40	9.80	10.50
50	9.60	11.40	11.80	12.50



QUALITY SYMBOLS MAJOR Ⓢ CRITICAL Ⓢ	DRAWN BY TSO I CHIAO	DATE 23/12/25		
	CHECKED BY Chen,Chun Yua	DATE 23/12/25		
GENERAL TOLERANCES (UNLESS SPECIFIED)	APPROVED BY Huang Kuo Hua	DATE 23/12/25	TITLE 0.4mm 0.8H BOARD TO FPC CONN ,RCPT	
	X. ±0.5 .X ±0.25 .XX ±0.15 .XXX ±0.1 ANGLES ±2°	UNITS mm		SIZE A4
	SCALE 10 : 1	SHEET NO. 1 OF 1	REV E	PART NO. SEE NOTES